

## Basic NHRA Safety Rules

All cars must meet NHRA Rules and pass technical inspection

This is general information only and you should always refer to the current "Official NHRA Rule Book".

### Street Cars

The following items are required for a vehicle and driver to pass tech: Good tires, a solid battery hold down, radiator overflow reservoir, functioning neutral-safety switch, seat belts, and a valid state driver's license or NHRA competition license for all participants. **The driver must wear long pants, closed toe shoes, and a shirt.**

#### **13.99 seconds (8.59 1/8th)**

Drive Line Loop with slicks

Approved helmet (Full face in open cars), see below

SFI 3.2A/1 Jacket in vehicles equipped with non-OEM nitrous oxide, turbochargers or superchargers

#### **13.49 seconds (8.25 1/8th)**

Roll bar in convertibles

SFI seat belts in convertibles

#### **11.99 seconds (7.49 1/8th)**

Steel Valve Stems

Arm Restraints (open cars)

#### **11.49 seconds (7.35 1/8th)**

SFI 1.1 or 1.2 Flywheel / Clutch

SFI 6.1, 6.2, 6.3 or 9.1 Flywheel shield

SFI 3.2A/1 approved jacket

6 point roll bar

SFI approved seat belts

#### **10.99 seconds (6.99 1/8th) or Super Street**

SFI 4.1 Transmission Shield, or at 135 mph

Locking transmission dipstick tube

Aftermarket axles and axle retainers

SFI Harmonic Balancer

Roll Cage with altered floor pans, or 135 mph - Window net required

Ignition cut-off on all bikes / snowmobiles that exceed 135 mph

#### **9.99 seconds (6.39 1/8th) or Super Gas or 135 mph**

NHRA Chassis Certification

NHRA Competition License

SFI jacket & pants 3.2A/5

SFI neck collar & gloves 3.3/1

SFI 29.1 flexplate / 30.1 flexplate shield (AT equipped cars)

Full Face Helmet meeting Snell or SFI specifications

#### **150**

Parachute

**mph**

## License

Drivers 16 and 17 years of age must have a valid waiver signed by both parents to participate as a driver or passenger. Virtually anyone can compete in drag racing. Drivers 18 years of age and over are required to have Valid State Driver License, and must be capable of the safe operation of their vehicle. Vehicles running 9.99 E.T. (Elapsed Time) and quicker require a NHRA Competition License and the chassis must have a current NHRA Chassis Certification.

## Auto Trans Reverse Lockout

Any non-OEM (ie aftermarket) automatic floor-mounted transmission shifter must be equipped with a spring-loaded, positive reverse lockout device to prevent the shifter from accidentally being put in reverse gear. A functional neutral safety switch is also required.

## Roll Bars

Unless otherwise required by your class, 6 point roll bars are required on convertibles running quicker than 13.49. Roll Bar required on all cars (including T-tops) running quicker than 11.49.

## Roll Cages

Roll Cages required on convertibles running 10.99 or faster than 135mph. Roll Cages required on all cars running 10.99\* or faster than 135mph.

- \*One exception: full-bodied cars running between 10.00 and 10.99, with unaltered firewalls, floor and body (from firewall rearward - wheel tubes permitted) can compete with just a roll bar.

Vehicles running 9.99 E.T. (Elapsed Time) and quicker require a NHRA Competition License and the chassis must have a current NHRA Chassis Certification.

## Helmets

Drivers of all 13.99 or quicker cars, including motorcycles, must wear a helmet meeting Snell or SFI Specifications. Full-face helmet mandatory on all cars 9.99 (1/4 mile)/6.39 (1/8 mile) or quicker. See individual Class Requirements for additional requirements, such as Stock Eliminator. Shield mandatory 7.49 (1/4 mile) and quicker. Drivers of NHRA Lucas Oil Drag Racing Series and E.T. cars (13.99 or quicker) (\*8.59) must use a helmet meeting Snell SA2010, SA2015, M2010, M2015, or SFI 31.1/2010, or 41.1/2010 Specs. Drivers in supercharged, front engine, open-bodied cars and Funny Cars must wear a helmet meeting Snell SA2010, SA2015, SAH2010.



## Nitrous Oxide

Commercially available nitrous oxide permitted, including supercharged and turbocharged engines. Nitrous bottle(s) in driver compartment must be equipped with a relief valve and vented outside of driver's compartment. Bottle(s) must be

stamped with a DOT-1800 pound rating and permanently mounted (no hose clamps or tie wraps). Hoses from bottle(s) to solenoid must be high-pressure steel-braided or NHRA-accepted hoses. Commercially available, thermostatically controlled, blanket-type warmer accepted. **Any other external heating of bottle prohibited, i.e. torches absolutely forbidden.**

### Liquid Overflow

All cars must have a recovery system or catch can (minimum of 16 oz.) for the car's radiator.

### Drive-shaft loop

For cars with driveshafts that contain universal joints: For all full-bodied and open-bodied cars running between 7.50 (\*4.50) and 13.99 (\*8.59) in place of a crossmember located behind but within 6 inches of the center of the front universal joint: A front driveshaft loop is required on all cars, except vehicles running 11.49 (\*7.35) seconds or slower equipped with street tires.

### Battery Relocation

If the battery is not in the stock location, and relocated to the trunk, for example, you must have an external cut-off switch on the back of the car which cuts off the electrical system and must also stop the car from running.

### Seat Belts

All cars must be equipped with an accepted quick release type driver seat belt. All cars in competition requiring a roll bar or roll cage, or as outlined by Class Requirements, require a Driver Restraint System as outlined below.

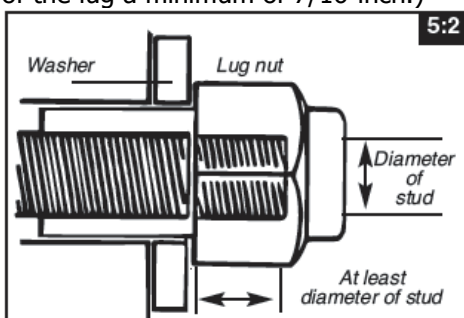
### Driver Restraint Systems

A quick-release, 3-inch shoulder harness meeting SFI Spec 16.1, including crotch strap, is mandatory in all cars in competition required by the rules to have a roll bar or a roll cage. Driver restraint system must be clearly labeled as meeting SFI Spec 16.1 and be dated by manufacturer. **System must be updated at two-year intervals from date of manufacture.** All seat belt and shoulder harness installations must be mutually compatible, originally designed to be used with each other, and produced by the same manufacturer. Cars using OEM or OEM type seat may route crotch strap in front of seat instead of through seat. Only those units that release all five attachment points in one motion are permitted. When arm restraints are worn with a restraint system that utilizes a "latch lever", a protective cover must be installed to prevent arm restraint from accidentally releasing the latch lever. Protective cover not needed if system uses "duckbill" latch hardware. All harness sections must be mounted to the frame, cross member, or reinforced mounting, and installed to limit driver's body travel both upward and forward. Seat belts may not be wrapped around lower frame rails. Under no circumstances are bolts inserted through belt webbing permitted for mounting. Check manufacturer's instructions.

### Wheels & Lug Nuts

All wheels must have ALL lug nuts in place and securely fastened. All street tires must have minimum 1/16 inch tread depth.

Vehicles with slicks must have open ended lug nuts. The thread engagement on all wheel studs to the lug nut, or lug bolts to wheel hubs, must be equivalent to or greater than the diameter of the stud/bolt. Length of the stud/bolt does not determine permissibility. (Example: A 7/16-inch stud must be thoroughly engaged through the threads in the hex portion of the lug a minimum of 7/16-inch.)



Item	6.00 to 7.49	7.50 to 9.99	10.00 to 10.99	11.00 to 11.49	11.50 to 13.99	14.00 & Slower	Expiration
Master Electrical Cutoff Switch	Y	Y	8:4 / 135 mph	8:4	8:4	8:4	
Neck Collar (SFI 3.3)	Y	Y	10:8	10:8	10:8	10:8	
NHRA Competition License	Y	Y	10:4	10:4	10:4	10:4	
NHRA Chassis Sticker	Y	Y	4:4	4:4	4:4	4:4	
Padding Roll Bar/Cage	Y / SFI	Y / SFI	Y / SFI	Y	10:6 / 135 mph	10:6 / 135 mph	
Parachute	Y	Y / 150 mph	4:8	4:8	4:8	4:8	
Pressurized Bottles DOT (1800)	Y	Y	Y	Y	Y	Y	
Protective Clothing SFI 3.2A/15; 3.2A/20; 3.2A/25; 3.2A/30 Driver's Suit	Y	Y	Y	Y	10:10	10:10	5 years, incl. year on tag
Roll Bar			Y	Y	C / 13.49	4:10	
Roll Cage	Y	Y	Y / 135 mph	4:11	4:11	4:11	
SFI Chassis Specification SFI 2.1; 2.2; 2.3; 10.1; 10.5; 25.1 Full Body Chassis Spec; Pro Stock SFI 2.4; 2.5; 2.6; 2.7; 10.2; 10.3; 10.4; 25.1 Adv. E.T.; 25.2; 25.3; 25.4; 25.5	Y	4:4 / 180 mph	4:4	4:4	4:4	4:4	1 year 3 years
Supercharger Restraints (SFI 14.1; 14.2; 14.21; 14.3)	Y	1:11	1:11	1:11	1:11	1:11	2 years
Taillight	Y	Y	Y	Y	Y	Y	
Transmission Flexplate (SFI 29.1)	Y	Y	2:14	2:14	2:14	2:14	3 years
Transmission Locking-Type Dipstick	Y	Y	Y				
Transmission Reverse Lockout	Y	Y	Y	Y	Y	Y	
Transmission Shield (SFI 4.1)	Y	Y	Y	2:14	2:14	2:14	Rigid, 5 yrs.; Flexible, 2 yrs.
Window Net Full-Bodied Cars	Y	Y	6:3 / 10:3	6:3 / 10:3	6:3 / 10:3	6:3 / 10:3	

*Thank you for being an NHRA Member. It is always our privilege to serve you. To renew or join, visit [NHRARacer.com](http://NHRARacer.com).*

## 2018 NHRA E.T. QUICK REFERENCE CHART & SFI EXPIRATIONS

Y = Required • C = Convertibles • Numbers Refer to General Regulations • Years Refer to SFI Expirations • In no way is this Quick Reference Chart intended to supersede or replace the current NHRA Rulebook (quarter-mile e.t.s)

Unless otherwise noted in this E.T. Quick Reference Chart, refer to SFIFoundation.com for the latest version of all non-chassis specifications. Also, unless otherwise noted in this document, refer to TechConn. NHRA.com for the latest SFI chassis specification versions. Note: Only certified NHRA chassis inspectors and authorized NHRA officials have access to TechConn.NHRA.com. An item with an expiration period must be returned to the original manufacturer for inspection and recertification at the end of this period before it can be permitted for further use at an NHRA event.

Item	6.00 to 7.49	7.50 to 9.99	10.00 to 10.99	11.00 to 11.49	11.50 to 13.99	14.00 & Slower	Expiration
Aftermarket Rear Axles	Y	Y	Y	2:11	2:11	2:11	
Arm Restraints (Open-Bodied Cars)	Y	Y	Y	Y	10:3 / 11.99	10:3	
Bellhousing (SFI 6.1; 6.2)	Y	Y	Y	Y	2:10	2:10	
Driver Restraint System (SFI 16.1; 16.5)	Y	Y	Y / 10:5	Y / 10:5	C / 10:5	10:5 / 10:11	2 years
Driveshaft Loop	Y	Y	Y	Y	2:4	2:4	
Electric Vehicle 16.00 & Quicker	Y	Y	Y	Y	Y	2:4	
Flexplate Shield (SFI 30.1)	Y	Y	2:14	2:14	2:14	2:14	5 years
Flywheel/Clutch (SFI 1.1; 1.2) SFI 1.1: Single-Disc Clutch & Flywheel Assembly, 1.2: Multi-Disc Clutch & Flywheel Assembly E.T. through Comp, PS	Y	Y	Y	Y	2:5	2:5	2 years
Flywheel Shield (SFI 6.1; 6.2; 6.3; 9.1) SFI 6.1: Flywheel Shield, Spec 1.1 & 1.2 (2-Disc Max. or 3-Disc, 8-inch Diameter Max.)	Y	Y	Y	Y	2:10	2:10	5 years
SFI 6.2: Flywheel Shield, Spec 1.2, 1.3, 1.4 & 1.5 Clutch (Check with Manufacturer; May Be Only 1 Year)							2 years
Harmonic Balancer (SFI 18.1)	Y	Y	Y	Permitted	Permitted	Permitted	
Head & Neck Restraint Device/System (SFI 38.1)	Y	10:8 / 200 mph	10:8	10:8	10:8	10:8	5 years
Helmet SFI 24.1/2010; 31.1/2010; 41.1/2010; Snell 2010 SFI 24.1/2015; 31.1/2015; 41.1/2015; Snell 2015	Y	Y	Y	Y	Y	10:7	exp. 1/1/2022 exp. 1/1/2027
Liquid Overflow	Y	Y	Y	Y	Y	Y	